



Model CN-R/SS3/TN-36 Round Wave Steel Strap Trash Receptacle Holder, green Thermo-plastic coated. Shown with optional Model T/N-246 green thermo-plastic coated flat steel lid.

- **36 gallon capacity**
- **Welded steel fabrication**
- **Thermo-plastic coated finish**
- **Large choice of color, lid, liner, and mounting options**

MOUNTING OPTIONS

Model M2/G Embedded Pedestal Mount:

elevated concrete embedded installation

Model M3/G Surface Pedestal Mount:

elevated base plate on concrete installation

Model M6/B Surface Ground Anchors:

four steel rod anchors for temporary location in lawns or on soft dirt.

CAN AND LINER OPTIONS

Model CN/B-1827: 36 gal. capacity rigid plastic liner

Model CN-4132: 32 gal. capacity rigid plastic liner

SPECIFICATIONS:

- **Model CN-R/SS3-36 Series** trash receptacle is an all-welded construction, fabricated from 1/8" x 1" die-formed vertical steel straps with two internal 1/8" thick steel support rings.
- The receptacle is reinforced with a 1" OD, 14 ga. wall round steel tube top ring, and a 10 ga. bottom ring with die-formed cross braces across the bottom providing holes for anchoring options.
- Four levelers are equally spaced around the inside of the bottom ring.
- **Model CN-R/SS3-36** is a 36 gal. capacity trash receptacle 29" O.D. x 22-3/4" I.D. x 32" high.
- **Standard:** All steel surfaces of the receptacle are covered with a thermo-plastic coating in a Brown color (indicated by "/TW" in model no., e.g. CN-R/SS3/TW-36). The UV-stabilized thermo-plastic coating is applied in a multi step process of material preparation and finish application designed to permanently heat fuse and bond the finish to the steel. The thermo-plastic polyethylene finish is impact resistant, does not support mold or mildew, and the textured matte surface is less susceptible to marring and scuffing.
- **Optional:** Color choices of thermo-plastic coated steel components. See Specification Bulletin #SPC-CO-001.

LID OPTIONS

Model CN-PD-24 Pilot Rock Plastic Dome Hatch Lids

Model CN-4455 Plastic Dome Hatch Lids

Model CN-SDR-24 Plastic Dome lid.

Model CN/G-5555 Galvanized or Powder Coated Steel Dome Hatch Lid

T-24 Series Steel Flat Lids: 2 Trash Can Covers: with a spring-loaded 10" dia. Hatch or without a Hatch or 3 Recycling Lids with 3 sizes of center holes: 3" dia. hole, 4-3/8" dia. hole or 5-7/8" dia. hole

T-2410 Series Powder Coated Steel Flat Lids with 10" center hole in 3 styles: Flat, with Rain Cover, or with Rain Cover and Ash Tray.

Model T-246 Steel Flat Recycling Lid with thermo-plastic coating and 5-3/4" dia. center hole

Model CN/B-1825 Black Plastic Flat Lid with 10" center hole

Model CN/B-3030 Black Plastic Canopy Lid with openings at each end

Model CN-PD-24PC Recycled Plastic, Recycling Lids with 3 sizes of center holes: 3" dia. hole, 4-3/8" dia. hole or 5-7/8" dia. hole.

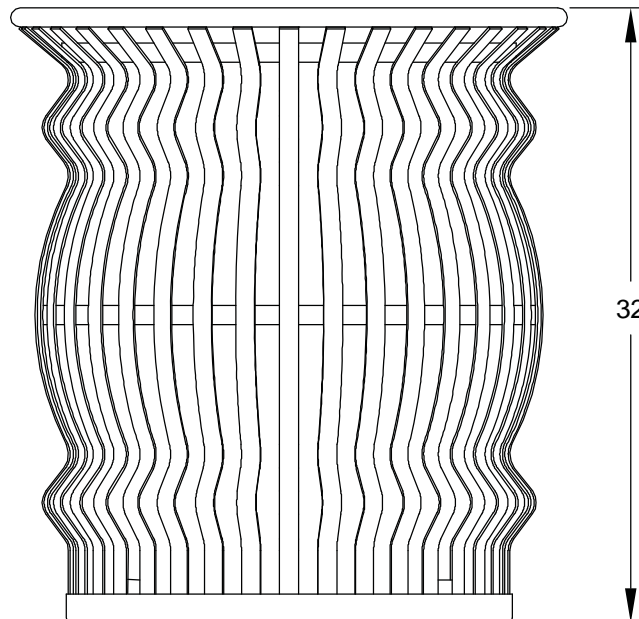
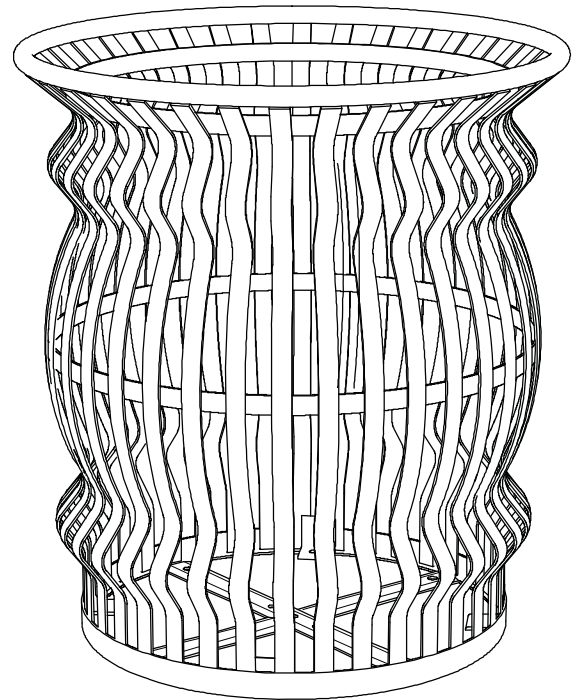
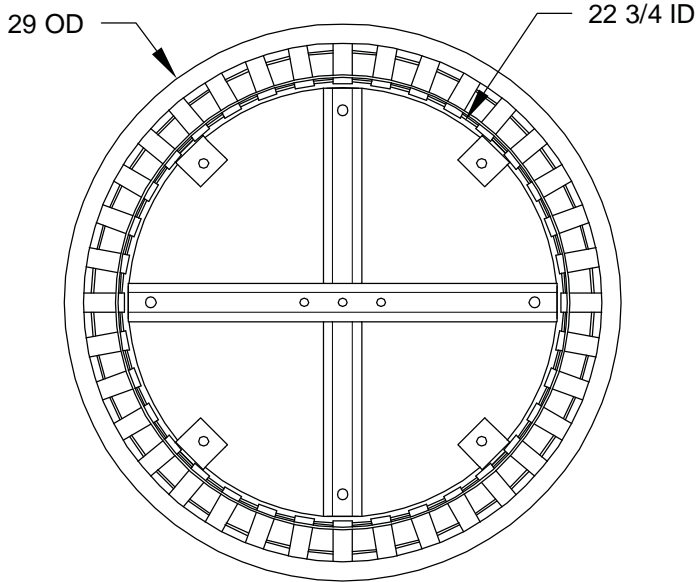
Model CN/N-3031PC Green Plastic Canopy Lid with 3 sizes of center holes: 3" dia. hole, 4-3/8" dia. hole or 7-1/2" wide slot.

RJ Thomas Mfg. Co., Inc.

PO Box 946 • Cherokee, IA 51012-0946 • PH: 712-225-5115 • 800-762-5002 • FAX: 712-225-5796

E-mail: pilotrock@rjthomas.com • Web Site: <http://www.pilotrock.com>

© 2019 RJ Thomas Mfg. Co., Inc. PILOT ROCK® Park Products is a registered trademark of RJ Thomas Mfg. Co., Inc.



ALL DIMENSIONS IN INCHES

RJThomas
Mfg. Co., Inc.
 P.O. Box 946
 Cherokee, IA 51012

TITLE **MODEL CN-R/SS3-36 ROUND THERMO-PLASTIC COATED
 WAVE STEEL STRAP TRASH RECEPTACLE HOLDER**

DRAWN BY	WWM
DATE	5-04-12
DWG. NO.	AI-2026